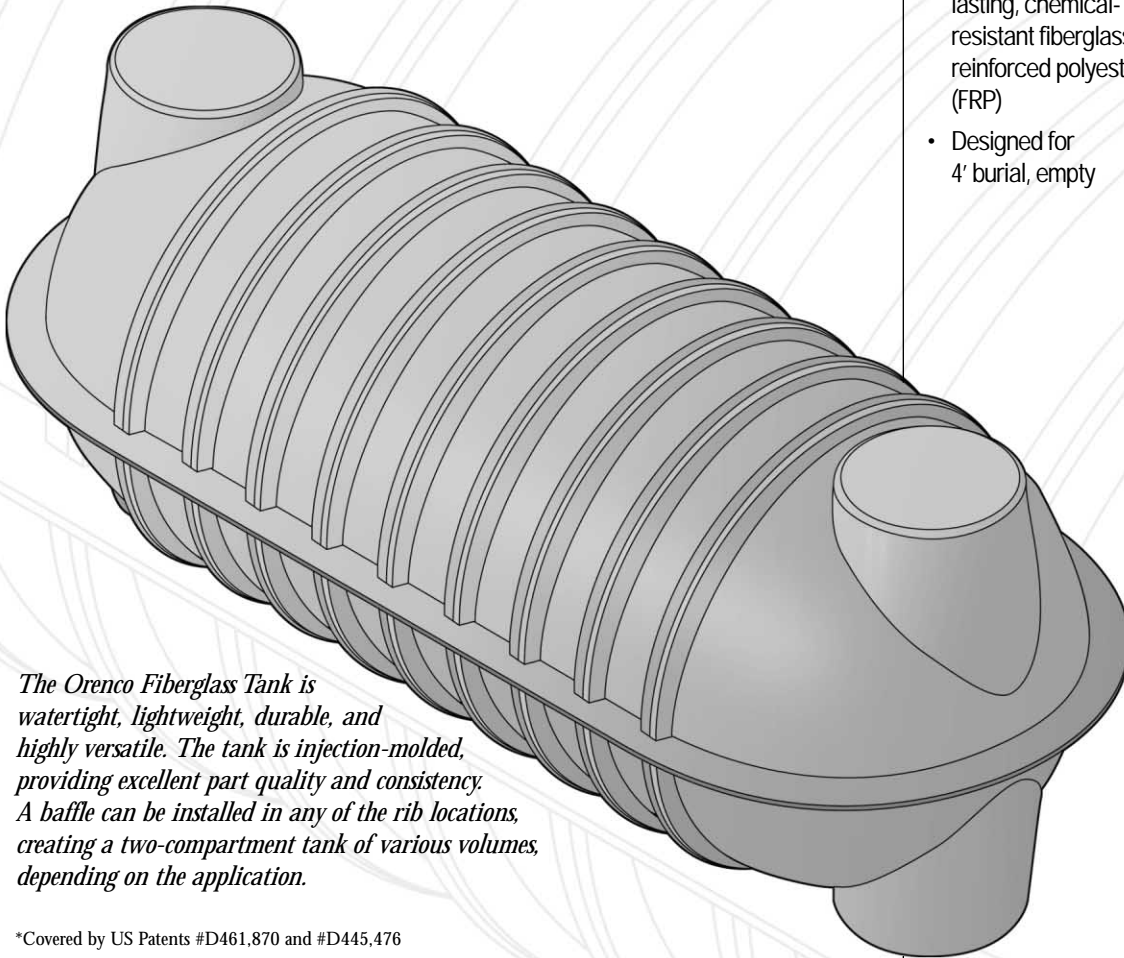


Orenco Fiberglass Tank

1,000-gallon; 1,500-gallon

Applications

The watertight Orenco injection-molded Fiberglass Tank* comes in two sizes and has been optimized for use in onsite wastewater collection and treatment systems (residential and commercial) and in community-wide effluent sewer systems. As the tank collects and digests organic matter, it provides primary wastewater treatment, reducing wastewater contaminants by 65-70%.



The Orenco Fiberglass Tank is watertight, lightweight, durable, and highly versatile. The tank is injection-molded, providing excellent part quality and consistency. A baffle can be installed in any of the rib locations, creating a two-compartment tank of various volumes, depending on the application.

*Covered by US Patents #D461,870 and #D445,476

Distributed By:

Features & Benefits

- 100% watertight, for optimal wastewater treatment; every tank is water tested before shipping
- Injection molded for unmatched part-quality and consistency; eliminates costly call-backs for repairs
- Made of long-lasting, chemical-resistant fiberglass reinforced polyester (FRP)
- Designed for 4' burial, empty
- Light enough to transport in a pick-up or small trailer and install with a backhoe (lifting lug included); no waiting for delivery truck
- No-hassle installation, even on the smallest lots
- Accommodates a baffle wall in any of the rib locations, creating a two-compartment tank of various volumes
- Directly accepts standard Orenco 24" diameter PVC risers; adapter available for 30" diameter
- Installation and orientation of inlet and outlet easily accomplished with watertight EPDM grommets

(Dimensions and ordering information on back.)



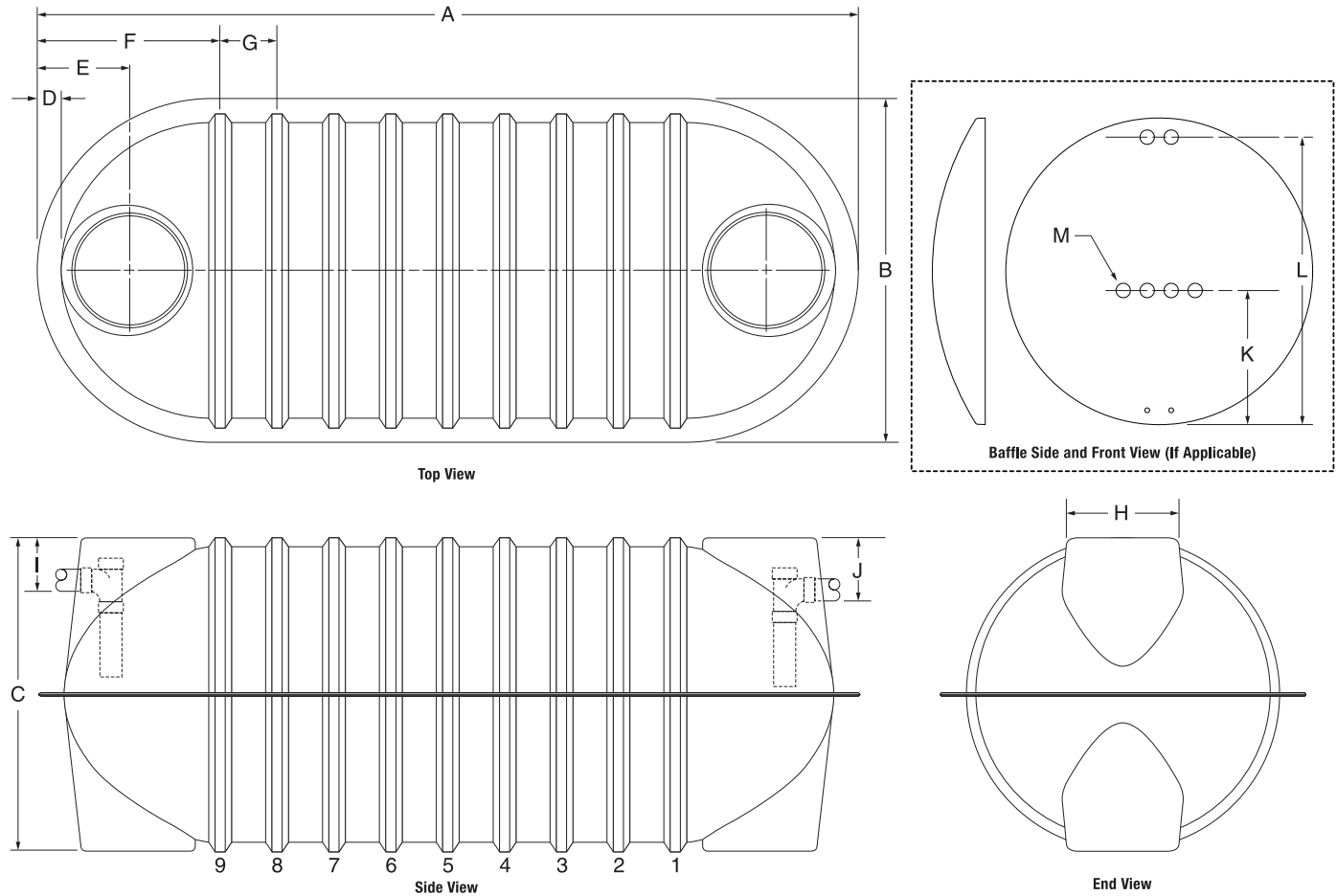
Orenco Systems®
Incorporated

*Changing the Way the
World Does Wastewater®*

www.orenco.com

APS-TNK-1
Rev. 2.0, © 07/03
Orenco Systems®, Inc.

Orenco Fiberglass Tank Nominal Dimensions*



Specifications

	1000-gallon	1500-gallon
Dimensions (in inches)		
A Length	123.0	168.0
B Width	72.0	72.0
C Height	64.5	64.5
D Flange width	5.5	5.5
E End to center of tank access	21.5	21.5
F End to first rib	37.0	37.0
G Rib spacing	11.6	11.6
H OD of tank access	23.5	23.5
I Inlet invert (typical)	11.0	11.0
J Outlet invert (typical - if used)	13.0	13.0
K Height to pass-through holes (typical)	32.0	32.0
L Height to baffle vent holes (typical)	60.0	60.0
M Pass-through hole diameter (typical)	3.0	3.0

Weight

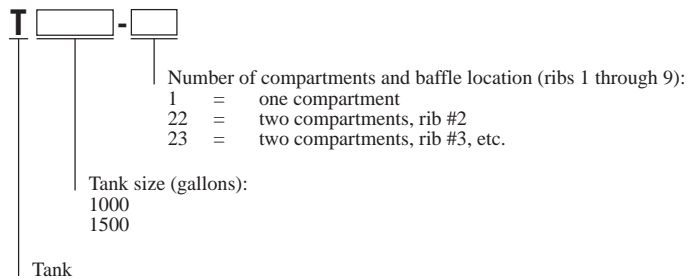
1-compartment (assembled)	320 lbs.	470 lbs.
2-compartment (assembled)	350 lbs.	500 lbs.

Volume

Volume to typical invert of inlet	1085 gal.	1631 gal.
Total tank volume	~1200 gal.	1785 gal.

* Detailed drawings and additional technical documentation available, including volume charts and installation instructions.

Base Model Code



To Order

Call Orenco Systems®, Inc., 1-800-348-9843, for your nearest Distributor.